



www.SelectDraperyHardware.com



Premium & Supreme
Select Traverse Rod Sets feature **Heavy Duty** tracks that are constructed with **wheeled carriers** and **metal masters** with the capacity to handle today's drapery treatments made with blackout linings and interlinings.

- Tracks NOW available in a **Bronze finish** to coordinate with the darker wood fascias, in addition to the **Aluminum finish**.
- Supreme Traverse Rod Sets with **SureLock Ring System™** have front loading, snap-in rings. Select Traverse Rings perfectly match full round wood rings.
- Premium Traverse Rod Sets are also available without wood fascia for a commercial or a more contemporary look.
- Traverse Rod Sets are available in 11 Select Wood Finishes and 5 *Select Limited* finishes.
- Go to www.SelectDraperyHardware.com to choose finials and finishes for your traverse rod sets.



Supreme

TRAVERSE ROD SETS
WITH RINGS



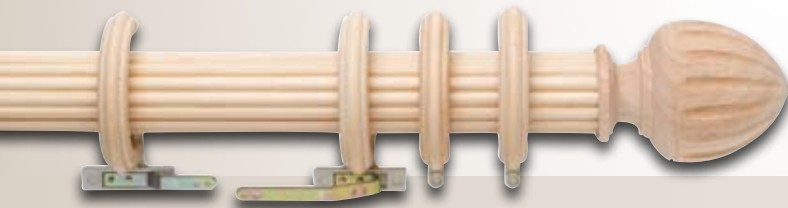
Select *Supreme* Traverse Rod Sets

Available with 2 1/4" and 3" diameter fascia. **SureLock Traverse Ring** simply snap into the 4-wheeled carriers for an easy installation and smooth operation for all drapery treatments. Two decorative ring options available – Select Ribbed Wood Rings and Bradford Resin Rings.

Traverse Rods Sets

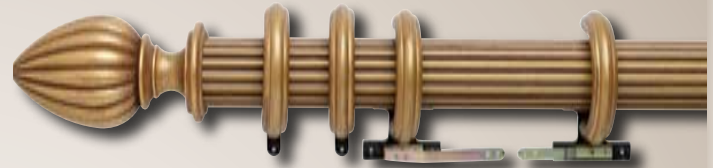
- Assembled to Order.*
- Cord Draw.
- Assembled set includes approximately 3.5 wheeled carriers or **SureLock Traverse Ring** per foot, standard installation brackets (3"- 4" Return), center support bracket cover(s), and tension pulley.
- Maximum continuous set length - 16 ft.
Maximum Set Length with Mitered Returns - 15 feet.
- Mitered cuts for bay or corner windows are available for a surcharge.
- Drapery weight – 4 lbs. per foot .
- Finials, End Caps, and Mitered Returns are not included. Please order separately.
- Double Traverse Rod Set Options: Available with back rod as "track only" or track with 1 3/8" fascia attached. Double Mount Brackets are included.

* Production time - 10 working days

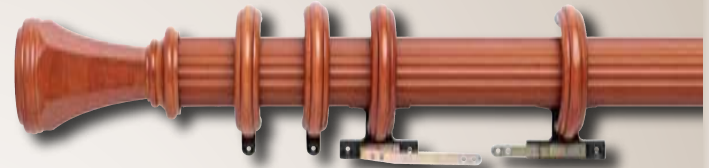


REFERENCE CHART

Track ONLY	
1 3/8" Traverse Rod	
2 1/4" Traverse Rod	
3" Traverse Rod	



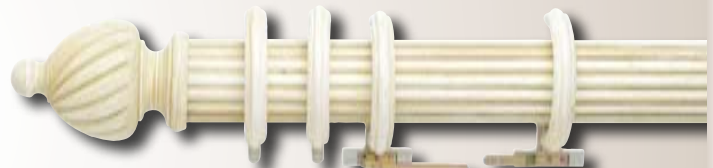
Vintage Gold Supreme Traverse Rod



Warm Oak Supreme Traverse Rod



Mocha Premium Traverse Rod



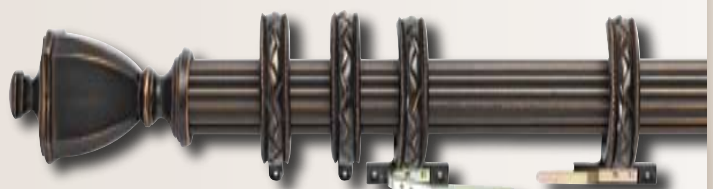
Parchment Supreme Traverse Rod



Black Walnut Supreme Traverse Rod



Antique Gold Crackle Premium Traverse Rod



Gold with Black Wash Supreme Traverse Rod

Premium



TRAVERSE ROD SETS

AVAILABLE IN DOUBLE MOUNT

Select Premium Traverse Rod Sets

Available with 1 3/8", 2 1/4", and 3" diameter wood fascia with wheeled plain carriers. The 2-wheeled carriers allow a smooth operation for all drapery treatments.

Fabulous Finishes



- Traverse Rod Sets are available in 11 Select Wood Finishes and 5 *Select Limited* finishes.
- Go to www.SelectDraperyHardware.com to choose finials and finishes for your traverse rod sets.

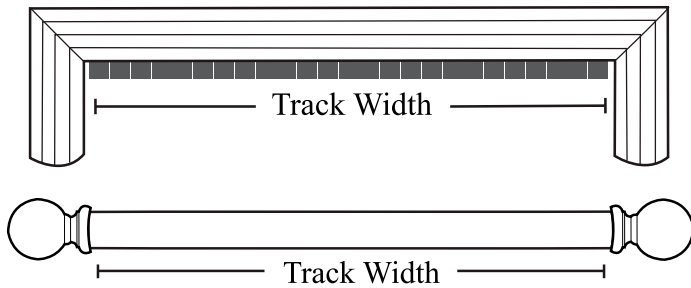


Ordering Information

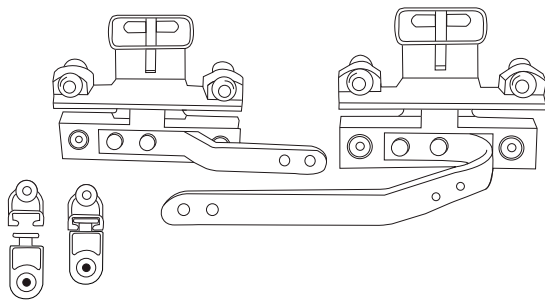
Specify the Following When Ordering:

- Quantity
- Draw (Right, Left or Center)
- Fascia Style (Smooth or Reeded)
- Cord Placement and Drop (Standard 8 ft.)
- Finish
- Return, if other than 3 1/2"
- Rod Length
- Order Finials or End Caps Separately

How to Measure Track Width:



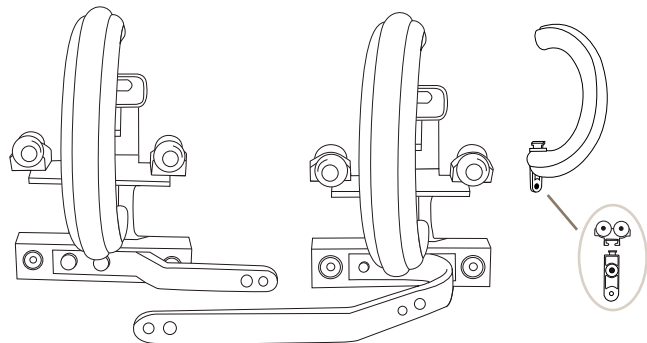
Premium Traverse Rod Masters & Carriers



Track Color Coordination Chart

Finish	Aluminum	Bronze
Antique Brass (920)		X
Antique Copper (915)		X
Antique Gold Crackle (20)		X
Antique Pewter (965)		X
Black (45)		X
Black Walnut (47)		X
Bronze (17)		X
Gold With Black Wash (945)		X
Mahogany (03)		X
Mocha (955)		X
Parchment (58)	X	
Unfinished (76)	X	X
Vintage Gold (23)		X
Walnut (55)		X
Warm Oak (10)		X
White (50)	X	

Supreme Traverse Rod Masters w/Rings & Carriers



SureLock Ring System™
Patent Pending